



THE STERLINGHAM

312 Roanoke Ave | Riverhead | NY 11901 | United States  
 sales@sterlingham.com | sterlingham.com | +1 631-727-2818



Handmade  
*in the heart of*  
 BRITAIN



*finest quality* TOWEL WARMERS  
 & BATHROOM *fittings*

LOW-ENERGY ELECTRIC - LOW VOLTAGE (SELV) - HYDRONIC - DUAL FUEL

THE STERLINGHAM





# contents...

- INTRODUCTION 4
- TRADITIONAL MANUFACTURING 5
- CUSTOM DESIGN 6
- HEATING OPTIONS 8

- CLASSIC COLLECTION 9

- FLAIR COLLECTION 15

- ARTISAN COLLECTION 19

- TRADITION COLLECTION 23

- ECLECTIC COLLECTION 27

---

- CLASSIC CONCEALED ACCESSORIES 31

- CRAFTMASTER ACCESSORIES 55

---

## washstands 59

- FINISH OPTIONS 64
- THE STERLINGHAM PROMISE 65
- GENERAL INFORMATION 65
- WARRANTY 66
- ENVIRONMENTAL COMMITMENT 66

*towel warmers*  
*accessories*

*All products are available in the following finishes...*

**UB** Unlaquered Brass **CP** Chrome Plated **PN** Polished Nickel **BN** Brushed Nickel **LB** Light Bronze  
**LAB** Light Antique Bronze **MB** Medium Bronze **MAB** Medium Antique Bronze **DB** Dark Bronze  
**DAB** Dark Antique Bronze **GP** Gold Plated **AG** Antique Gold **SP** Special Finish (Sample required to match)





“Though a man may live in the heart of the forest if he makes the finest chairs the world will beat a path to his door.”

More than thirty years have passed since I first read these words, carved on a piece of wood in the window of a small independent furniture retailer.

Although I may not have recounted them verbatim their spirit has been my standard. The Sterlingham Company Ltd was founded on the principles of quality, service and excellence in design. Our name reflects the reliability and dependability of the Pound Sterling and the historic ingenuity of the industrial revolution pervading the small towns around the city of Birmingham, England.

This catalogue along with those for our other hand made bath products reflects the reliability and dependability of our skills and our determination to provide you with the finest that the woodsman and his forest can provide.

*Kevin Pearce*

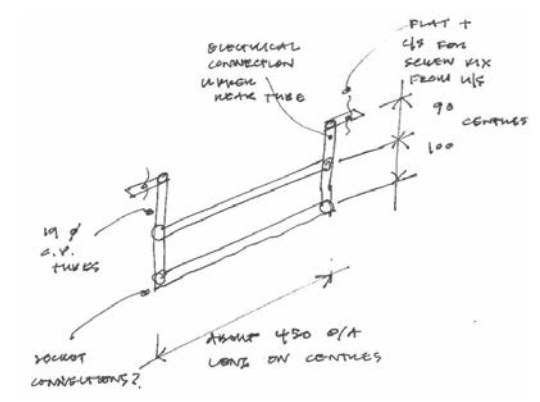
FOUNDER





## TRADITIONAL MANUFACTURING

Quality cannot be inspected in. From the materials sourced to the final finishing and assembly The Sterlingham builds in quality at every stage. Thus our reputation has been built over three decades, the hallmarks of quality are hot-stamped through our components and ethic. Hand soldered, lathe turned, hand sawn - the tubes and sections from hot mills are worked, hand polished, hand finished and hand assembled, scrutinized under magnifying lamps before and after electroplating.



## CUSTOM DESIGN *a perfect fit*

Some of the considerations when choosing a towel warmer for your bathroom will include location, size, number of rails, heating method and finish. Within this brochure you will, we hope, find a product that matches your aspirations. But we realise that it can also be a launchpad, firing the imagination for personal designs and configurations. This is where our willingness to work with you or the designer comes into play to create your ideal custom towel warmer.

## CASE STUDY...

Commissioned by Maddux Creative, this project for an 1840's residential property in London is the perfect example of client, designer and manufacturer working in partnership to create a truly unique result. We manufactured a beautifully crafted six leg washstand, two bespoke pole mounted mirrors and a double glass towel rail. The resulting success of this project saw it featured on the cover of World of Interiors magazine.



Photography Ricardo Labougle. Image courtesy of World Of Interiors.








TOWEL warmer  
COLLECTIONS

# HEATING OPTIONS

## AN INFORMED *choice*

The very special Sterlingham low-energy towel warmer has been the leading light of our towel warmer production ever since it was patented by the company founder. Unless specified all models are available in any of the following three power options:

	THE STERLINGHAM <sup>CO.</sup> <sub>LTD.</sub> LOW ENERGY ELECTRIC	HYDRONIC	DUEL FUEL & Alternative Suppliers 'Electric' Models
AESTHETICS	Our power supply is invisible, exiting the towel warmer from a wall or floor fixing of your choice. This leaves a clean, uncompromised design.	Hot water from your heating system flows through valves and pipework.	Fittings as per Hydronic but an additional visible cable exits the side of the towel warmer and must be fitted to an adjacent fused spur.*
CONTROL	Dimmer switch (located outside the bathroom).	Central heating system programmer.	As per Hydronic plus electric programmer.
INSTALLATION	Hidden supply cable in wall or under floor. <i>(Electrician)</i>	Prior to installation local water quality should be checked for suitability.** Pipework and valves. <i>(Plumber)</i>	As per Hydronic plus the installation of a heating element. <i>(Electrician &amp; Plumber)</i>
MECHANICAL MAINTENANCE	No maintenance required.	System will require periodic venting. Valve operation and flow balance will require regular checks.	As per Hydronic. Exposed cable requires checks for deterioration.
ADDITIONAL PURCHASES	Dimmer switch.	Valves.	Valves, Probe Element & Cover Shroud (optional).
GUARANTEE			



Our 110v electrical towel warmers are UL/CSA approved for the North American market.  
\*This cable can be concealed by a cover shroud which you may order from us.  
\*\*See general terms and conditions on page 33.





## STOURTON *and* ENVILLE



MODEL	RAILS	HEIGHT	WIDTH	DEPTH	WATTS
9-200	3	21 <sup>5</sup> / <sub>8</sub> "	21 <sup>5</sup> / <sub>8</sub> "	5 <sup>1</sup> / <sub>16</sub> "	57
9-210	4	37 <sup>3</sup> / <sub>8</sub> "	21 <sup>5</sup> / <sub>8</sub> "	5 <sup>1</sup> / <sub>16</sub> "	76



MODEL	RAILS	HEIGHT	WIDTH	DEPTH	WATTS
9-240	3	38 <sup>3</sup> / <sub>8</sub> "	21 <sup>5</sup> / <sub>8</sub> "	6 <sup>3</sup> / <sub>8</sub> "	57
9-250	4	38 <sup>3</sup> / <sub>8</sub> "	21 <sup>5</sup> / <sub>8</sub> "	6 <sup>3</sup> / <sub>8</sub> "	76

### UNIVERSAL *touch*

*If you appreciate the benefits of our low energy electric technology but wish to have valves to give the look of the hydronic towel warmers we are able to supply this to you as shown here in the Enville photograph. Valves courtesy of Barber Wilsons & Co Ltd.*



## CLASSICO COLLECTION

*Adj. 'of the first or highest quality, class or rank'*  
CLASSIC BALL JOINTS | 1<sup>1</sup>/<sub>4</sub>" TUBE

for more information | [sterlingham.com](http://sterlingham.com) | +1 631-727-2818

*finish options...*  
UB | CP | PN | BN | LB | LAB | MB  
MAB | DB | DAB | GP | AG | SP



COACH HOUSE *and* KINVER



MODEL	RAILS	HEIGHT	WIDTH	DEPTH	WATTS
9-220	6	38 <sup>3</sup> / <sub>8</sub> "	21 <sup>5</sup> / <sub>8</sub> "	6 <sup>3</sup> / <sub>8</sub> "	105



MODEL	RAILS	HEIGHT	WIDTH	DEPTH	WATTS
9-230	7	13"	26 <sup>3</sup> / <sub>4</sub> "	16 <sup>5</sup> / <sub>16</sub> "	140

ATTENTION *to detail*

Most designs have traditional exposed screw wall mountings as standard. If these are not desired concealed wall mountings may be ordered.



THE STERLINGHAM

SUITEART *and* CHATSWORTH



MODEL	RAILS	HEIGHT	WIDTH	DEPTH	WATTS
9-260	7	38 <sup>4</sup> / <sub>7</sub> "	27"	6 <sup>3</sup> / <sub>8</sub> "	132



MODEL	RAILS	HEIGHT	WIDTH	DEPTH	WATTS
9-270	4	38 <sup>3</sup> / <sub>8</sub> "	21 <sup>5</sup> / <sub>8</sub> "	11 <sup>13</sup> / <sub>16</sub> "	84

Available as low-energy electric only

BESPOKE OPTIONS  
AVAILABLE ON ALL MODELS

for more information | [sterlingham.com](http://sterlingham.com) | +1 631-727-2818

*finish options...*  
UB | CP | PN | BN | LB | LAB | MB  
MAB | DB | DAB | GP | AG | SP



## LAWNSWOOD



MODEL	RAILS	HEIGHT	WIDTH	DEPTH	WATTS
9-280	7	34 <sup>1</sup> / <sub>4</sub> "	28 <sup>3</sup> / <sub>4</sub> "	13"	162

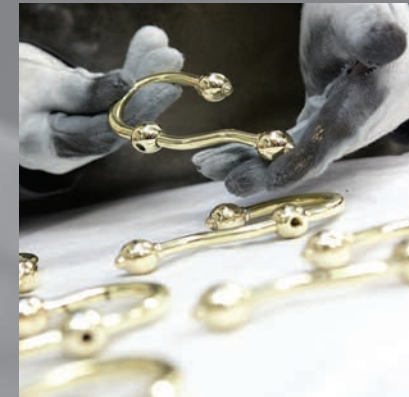
*designed* FOR LIFE

*Sterlingham low energy electric towel warmers are constructed to last a lifetime and more. But should you wish to remodel your bathroom you will find them easy to remove and reinstall, dovetailing with the revised life style.*

*See warranty details page 66.*



THE STERLINGHAM





## WHITTINGTON *and* WOLLASTON



MODEL	RAILS	HEIGHT	WIDTH	DEPTH	WATTS
9-330	3	38 <sup>3</sup> / <sub>8</sub> "	21 <sup>5</sup> / <sub>8</sub> "	6 <sup>3</sup> / <sub>8</sub> "	57
9-340	4	38 <sup>3</sup> / <sub>8</sub> "	21 <sup>5</sup> / <sub>8</sub> "	6 <sup>3</sup> / <sub>8</sub> "	76

MODEL	RAILS	HEIGHT	WIDTH	DEPTH	WATTS
9-300	3	21 <sup>5</sup> / <sub>8</sub> "	21 <sup>5</sup> / <sub>8</sub> "	5 <sup>11</sup> / <sub>16</sub> "	57
9-310	4	37 <sup>3</sup> / <sub>8</sub> "	21 <sup>5</sup> / <sub>8</sub> "	5 <sup>11</sup> / <sub>16</sub> "	76

### FINISHES *a palette to suit all palates*

We are as flexible in our choice of finishes as we are in our manufacturing. Please see page 64 for details. The Whittington Towel Warmer above shows a highly polished combination of brass fittings and copper tube which incidentally offers anti-microbial properties.



FLAIR  
COLLECTION

Noun. 'smartness of style or manner'  
COLLARED BALL JOINTS | 1<sup>1</sup>/<sub>4</sub>" TUBE

for more information | [sterlingham.com](http://sterlingham.com) | +1 631-727-2818

*finish options...*  
UB | CP | PN | BN | LB | LAB | MB  
MAB | DB | DAB | GP | AG | SP



## BEWDLEY *and* FOOTMAN



MODEL	RAILS	HEIGHT	WIDTH	DEPTH	WATTS
9-320	3	21 <sup>5</sup> / <sub>8</sub> "	23 <sup>5</sup> / <sub>8</sub> "	3 <sup>1</sup> / <sub>4</sub> "	57



MODEL	RAILS	HEIGHT	WIDTH	DEPTH	WATTS
9-350	4	38 <sup>3</sup> / <sub>8</sub> "	24 <sup>4</sup> / <sub>9</sub> "	3 <sup>1</sup> / <sub>4</sub> "	76

### *made* TO MEASURE

Tailor made to your requirements you are not limited to the standard models and sizes within this brochure. Our design team can produce a 3D drawing based on your bespoke requirements prior to your order.



THE STERLINGHAM

## ASHWOOD

FINE QUALITY &  
CRAFTSMANSHIP



MODEL	RAILS	HEIGHT	WIDTH	DEPTH	WATTS
9-360	7	34 <sup>1</sup> / <sub>4</sub> "	28 <sup>3</sup> / <sub>4</sub> "	13"	162

for more information | [sterlingham.com](http://sterlingham.com) | +1 631-727-2818

*finish options...*  
UB | CP | PN | BN | LB | LAB | MB  
MAB | DB | DAB | GP | AG | SP





PARKLANE *and* MORVILLE



MODEL	RAILS	HEIGHT	WIDTH	DEPTH	WATTS
9-420	7	26"	22"	4 <sup>15</sup> / <sub>16</sub> "	76



MODEL	RAILS	HEIGHT	WIDTH	DEPTH	WATTS
9-440	4	38 <sup>3</sup> / <sub>8</sub> "	21 <sup>5</sup> / <sub>8</sub> "	5 <sup>3</sup> / <sub>8</sub> "	76

WARRANTY  
DETAILS P.66

ARTISAN COLLECTION

Noun. 'a maker of high quality, distinctive products, by hand and traditional methods'

STRAIGHT JOINTS | 1<sup>1</sup>/<sub>4</sub>" TUBE

for more information | [sterlingham.com](http://sterlingham.com) | +1 631-727-2818

finish options...  
UB | CP | PN | BN | LB | LAB | MB  
MAB | DB | DAB | GP | AG | SP



## DUNSLEY *and* HIMLEY



MODEL	RAILS	HEIGHT	WIDTH	DEPTH	WATTS
9-400	3	22 <sup>5</sup> / <sub>8</sub> "	21 <sup>5</sup> / <sub>8</sub> "	5 <sup>1</sup> / <sub>2</sub> "	57



MODEL	RAILS	HEIGHT	WIDTH	DEPTH	WATTS
9-430	4	38 <sup>3</sup> / <sub>8</sub> "	21 <sup>5</sup> / <sub>8</sub> "	6 <sup>5</sup> / <sub>16</sub> "	76

## COOKLEY *and* KINGSWOOD



MODEL	RAILS	HEIGHT	WIDTH	DEPTH	WATTS
9-410	8	23 <sup>5</sup> / <sub>8</sub> "	23 <sup>5</sup> / <sub>8</sub> "	5 <sup>11</sup> / <sub>16</sub> "	113



MODEL	RAILS	HEIGHT	WIDTH	DEPTH	WATTS
9-450	7	34 <sup>1</sup> / <sub>4</sub> "	28 <sup>3</sup> / <sub>4</sub> "	13"	162

### LOW-ENERGY *technology*

The Sterlingham patented heating technology offers major benefits over hydronic or dual fuel versions. These benefits combined with the sheer quality and beauty of the towel warmers form an astute investment.

Our 110v electrical towel warmers are UL/CSA Approved for the North American Market.

Please see page 8 for further information.



THE STERLINGHAM

for more information | [sterlingham.com](http://sterlingham.com) | +1 631-727-2818

*finish options...*  
UB | CP | PN | BN | LB | LAB | MB  
MAB | DB | DAB | GP | AG | SP





## CHURCHILL *and* BLAKEDOWN



MODEL	RAILS	HEIGHT	WIDTH	DEPTH	WATTS
9-500	3	24"	24"	5 <sup>15</sup> / <sub>16</sub> "	65
9-510	4	39 <sup>3</sup> / <sub>8</sub> "	24"	5 <sup>15</sup> / <sub>16</sub> "	89



MODEL	RAILS	HEIGHT	WIDTH	DEPTH	WATTS
9-520	3	39 <sup>3</sup> / <sub>8</sub> "	24"	6 <sup>5</sup> / <sub>16</sub> "	65
9-530	4	39 <sup>3</sup> / <sub>8</sub> "	24"	6 <sup>5</sup> / <sub>16</sub> "	89

TRADITION COLLECTION

*'Without tradition, art is a flock of sheep without a shepherd.  
Without innovation, it is a corpse.'*

SIR WINSTON CHURCHILL

ACCENTUATED BALL JOINTS | 1 1/2" TUBE

### ACCENTUATED *beauty*

*Our Tradition Collection employs 1/2mm tube and fittings which are noticeably larger than our 1/4mm collections. See adjacent image for comparison.*



for more information | [sterlingham.com](http://sterlingham.com) | +1 631-727-2818

*finish options...*  
UB | CP | PN | BN | LB | LAB | MB  
MAB | DB | DAB | GP | AG | SP



## HOLLY WOOD



MODEL	RAILS	HEIGHT	WIDTH	DEPTH	WATTS
9-540	7	34 <sup>1</sup> / <sub>4</sub> "	28 <sup>3</sup> / <sub>4</sub> "	13"	162







## WOLVERLEY *and* ARLEY



MODEL	RAILS	HEIGHT	WIDTH	DEPTH	WATTS
9-600	4	23 <sup>5</sup> / <sub>8</sub> "	23 <sup>5</sup> / <sub>8</sub> "	5 <sup>11</sup> / <sub>16</sub> "	81

*Available as low-energy electric only*



MODEL	RAILS	HEIGHT	WIDTH	DEPTH	WATTS
9-630	4	31 <sup>1</sup> / <sub>2</sub> "	21 <sup>5</sup> / <sub>8</sub> "	5 <sup>1</sup> / <sub>2</sub> "	84

*Available as low-energy electric only*

ECLECTIC  
COLLECTION

*Adj. 'selecting the best from various styles, ideas and methods'*

A CONTEMPORARY COLLECTION

VARIOUS SIZES

for more information | [sterlingham.com](http://sterlingham.com) | +1 631-727-2818

*finish options...*  
UB | CP | PN | BN | LB | LAB | MB  
MAB | DB | DAB | GP | AG | SP



## TURA



MODEL	RAILS	HEIGHT	WIDTH	DEPTH	WATTS
9-610	5	24 <sup>4</sup> / <sub>9</sub> "	19 <sup>2</sup> / <sub>3</sub> "	4 <sup>15</sup> / <sub>16</sub> "	80

## PRESTWOOD



MODEL	RAILS	HEIGHT	WIDTH	DEPTH	WATTS
9-620	6	34 <sup>1</sup> / <sub>4</sub> "	28 <sup>3</sup> / <sub>4</sub> "	9 <sup>13</sup> / <sub>16</sub> "	148

FINE QUALITY &  
CRAFTSMANSHIP



Handmade  
*in the heart of*  
BRITAIN

*For over three decades our craftsmen have delivered excellence in product quality and customer service. Materials and services are 95% sourced from within the United Kingdom.*

THE STERLINGHAM



PELV (PROTECTIVE EXTRA-LOW VOLTAGE) &  
SELV (SEPARATED EXTRA-LOW VOLTAGE) MODELS

*The Sterlingham low-voltage models (12v and 24v) will operate on either AC or DC supply. The towel warmer may be positioned in any of the bathroom Zones as defined by the Institute of Electrical Engineers and the transformer should be located beyond Zone 2 and as near as possible to the appliance to avoid voltage drop which would reduce heat output.*

for more information | [sterlingham.com](http://sterlingham.com) | +1 631-727-2818

*finish options...*  
UB | CP | PN | BN | LB | LAB | MB  
MAB | DB | DAB | GP | AG | SP





CLASSIC  
CONCEALED ACCESSORIES

PAPER HOLDER



MODEL	HEIGHT	WIDTH	DEPTH
1-100CLD	1 <sup>5</sup> / <sub>8</sub> "	7 <sup>1</sup> / <sub>2</sub> "	3 <sup>3</sup> / <sub>16</sub> "



L-SHAPED PAPER HOLDER

MODEL	HEIGHT	WIDTH	DEPTH
1-103CLD	1 <sup>3</sup> / <sub>4</sub> "	7 <sup>5</sup> / <sub>8</sub> "	3 <sup>1</sup> / <sub>2</sub> "

for more information | [sterlingham.com](http://sterlingham.com) | +1 631-727-2818

*finish options...*  
UB | CP | PN | BN | LB | LAB | MB  
MAB | DB | DAB | GP | AG | SP



HINGED PAPER HOLDER



MODEL	HEIGHT	WIDTH	DEPTH
1-109CLD	3 1/2"	6 7/8"	1 15/16"

FREESTANDING PAPER HOLDER



MODEL	HEIGHT	WIDTH	DEPTH
1-105CLD	30 1/2"	7 7/8"	7 7/8"

TUMBLER & HOLDER



MODEL	HEIGHT	WIDTH	DEPTH
1-102CLD	3 7/8"	2 15/16"	5 1/16"

SOAP DISH & HOLDER



MODEL	HEIGHT	WIDTH	DEPTH
1-101CLD	1 3/4"	6 1/4"	7 1/16"

TRADITIONAL MANUFACTURING  
BY 21<sup>ST</sup> CENTURY CRAFTSMEN

THE STERLINGHAM

for more information | [sterlingham.com](http://sterlingham.com) | +1 631-727-2818

finish options...  
UB | CP | PN | BN | LB | LAB | MB  
MAB | DB | DAB | GP | AG | SP



THREE TIER SHELF



MODEL	HEIGHT	WIDTH	DEPTH
1-030CLD	19 <sup>9</sup> / <sub>16</sub> "	20 <sup>15</sup> / <sub>16</sub> "	6 <sup>1</sup> / <sub>8</sub> "

SHELF & HINGED  
GUARD RAIL



MODEL	HEIGHT	WIDTH	DEPTH
1-024CLD	2 <sup>1</sup> / <sub>4</sub> "	24"	6 <sup>5</sup> / <sub>16</sub> "



OPTIONAL *finishes*

We are able to supply glass in various shades.  
Please contact us or visit our website for more details.

THE STERLINGHAM

BATHROOM STAND



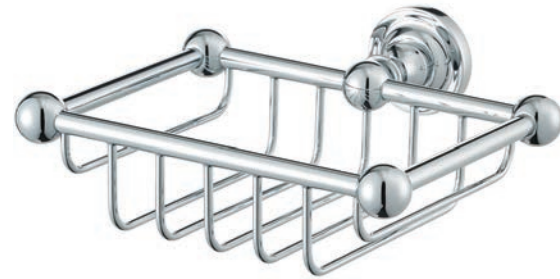
MODEL	HEIGHT	WIDTH	DEPTH
1-038CLD	32 <sup>1</sup> / <sub>16</sub> "	13 <sup>3</sup> / <sub>4</sub> "	13 <sup>3</sup> / <sub>4</sub> "
1-039CLD	32 <sup>1</sup> / <sub>16</sub> "	19 <sup>2</sup> / <sub>3</sub> "	13 <sup>3</sup> / <sub>4</sub> "

for more information | sterlingham.com | +1 631-727-2818

*finish options...*  
UB | CP | PN | BN | LB | LAB | MB  
MAB | DB | DAB | GP | AG | SP



SOAP OR SPONGE BASKET



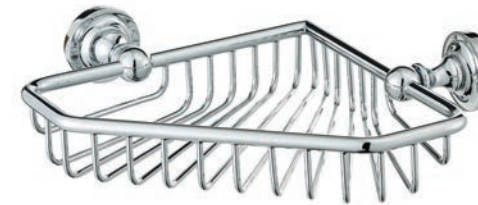
MODEL	HEIGHT	WIDTH	DEPTH
1-050CLD	2 <sup>7</sup> / <sub>16</sub> "	6 <sup>5</sup> / <sub>16</sub> "	5 <sup>15</sup> / <sub>16</sub> "

SOAP AND SPONGE BASKET



MODEL	HEIGHT	WIDTH	DEPTH
1-060CLD	2 <sup>7</sup> / <sub>16</sub> "	12 <sup>5</sup> / <sub>8</sub> "	6 <sup>7</sup> / <sub>8</sub> "

CORNER BASKET



MODEL	HEIGHT	WIDTH	DEPTH
1-066CLD	2 <sup>1</sup> / <sub>16</sub> "	9"	6 <sup>7</sup> / <sub>16</sub> "

3 TIER CORNER BASKET



MODEL	HEIGHT	WIDTH	DEPTH
1-035CLD	25 <sup>11</sup> / <sub>16</sub> "	9 <sup>1</sup> / <sub>16</sub> "	9 <sup>13</sup> / <sub>16</sub> "

Adjustable Spacing.





BATHRACK



MODEL	HEIGHT	WIDTH	DEPTH
3-214CLD	3 <sup>3</sup> / <sub>4</sub> "	32-36"	7 <sup>7</sup> / <sub>8</sub> "

BATHRACK  
WITH MIRROR

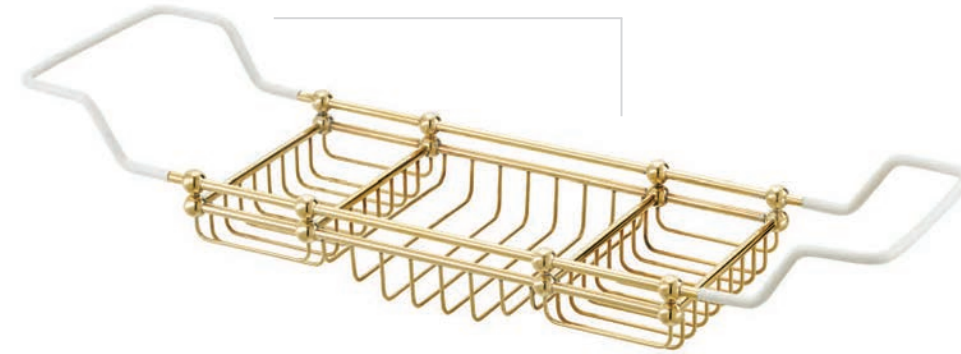


MODEL	HEIGHT	WIDTH	DEPTH
3-235CLD	10 <sup>1</sup> / <sub>16</sub> "	32-36"	7 <sup>7</sup> / <sub>8</sub> "

FINE QUALITY  
CRAFTSMANSHIP

THE STERLINGHAM

DELUXE  
BATHRACK



MODEL	HEIGHT	WIDTH	DEPTH
3-210CLD	4 <sup>1</sup> / <sub>2</sub> "	27-31"	7 <sup>3</sup> / <sub>4</sub> "

DELUXE BATHRACK  
WITH MIRROR



MODEL	HEIGHT	WIDTH	DEPTH
3-230CLD	10 <sup>13</sup> / <sub>16</sub> "	27-31"	7 <sup>3</sup> / <sub>4</sub> "

BOOKSTAND

MODEL	HEIGHT	WIDTH	DEPTH
3-250CLD	7 <sup>7</sup> / <sub>8</sub> "	9 <sup>1</sup> / <sub>16</sub> "	2"



for more information | [sterlingham.com](http://sterlingham.com) | +1 631-727-2818

finish options...  
UB | CP | PN | BN | LB | LAB | MB  
MAB | DB | DAB | GP | AG | SP



WALL MOUNTED  
TOILET BRUSH

MODEL	HEIGHT	WIDTH	DEPTH
1-310CLD	15 <sup>9</sup> / <sub>16</sub> "	4 <sup>1</sup> / <sub>8</sub> "	6 <sup>3</sup> / <sub>16</sub> "



FREESTANDING PAPER  
HOLDER & BRUSH

MODEL	HEIGHT	WIDTH	DEPTH
1-315CLD	29 <sup>15</sup> / <sub>16</sub> "	7 <sup>7</sup> / <sub>8</sub> "	7 <sup>7</sup> / <sub>8</sub> "



FREESTANDING  
TOILET BRUSH

MODEL	HEIGHT	WIDTH	DEPTH
1-320CLD	17 <sup>1</sup> / <sub>2</sub> "	4 <sup>3</sup> / <sub>4</sub> "	5 <sup>5</sup> / <sub>16</sub> "



THE STERLINGHAM

for more information | [sterlingham.com](http://sterlingham.com) | +1 631-727-2818

*finish options...*  
UB | CP | PN | BN | LB | LAB | MB  
MAB | DB | DAB | GP | AG | SP



TOWEL RING



MODEL	HEIGHT	WIDTH	DEPTH
4-310CLD	7 <sup>15</sup> / <sub>16</sub> "	7 <sup>3</sup> / <sub>8</sub> "	3 <sup>1</sup> / <sub>4</sub> "

SINGLE TOWEL BAR



MODEL	HEIGHT	WIDTH	DEPTH
<i>Brass Rail</i>			
4-350-18CLD	1 <sup>5</sup> / <sub>8</sub> "	18"	3 <sup>1</sup> / <sub>4</sub> "
4-350-23CLD	1 <sup>5</sup> / <sub>8</sub> "	23"	3 <sup>1</sup> / <sub>4</sub> "
4-350-29CLD	1 <sup>5</sup> / <sub>8</sub> "	29"	3 <sup>1</sup> / <sub>4</sub> "
<i>Glass Rail</i>			
4-355-18CLD	1 <sup>5</sup> / <sub>8</sub> "	18"	3 <sup>1</sup> / <sub>4</sub> "
4-355-23CLD	1 <sup>5</sup> / <sub>8</sub> "	23"	3 <sup>1</sup> / <sub>4</sub> "
4-355-29CLD	1 <sup>5</sup> / <sub>8</sub> "	29"	3 <sup>1</sup> / <sub>4</sub> "



DOUBLE TOWEL RAIL CRESCENT



MODEL	HEIGHT	WIDTH	DEPTH
<i>Brass Rail</i>			
5-400-18CLD	5 <sup>5</sup> / <sub>16</sub> "	18"	6 <sup>1</sup> / <sub>2</sub> "
5-400-23CLD	5 <sup>5</sup> / <sub>16</sub> "	23"	6 <sup>1</sup> / <sub>2</sub> "
4-400-29CLD	5 <sup>5</sup> / <sub>16</sub> "	29"	6 <sup>1</sup> / <sub>2</sub> "
<i>Glass Rail</i>			
5-405-18CLD	5 <sup>5</sup> / <sub>16</sub> "	18"	6 <sup>1</sup> / <sub>2</sub> "
5-405-23CLD	5 <sup>5</sup> / <sub>16</sub> "	23"	6 <sup>1</sup> / <sub>2</sub> "
5-405-29CLD	5 <sup>5</sup> / <sub>16</sub> "	29"	6 <sup>1</sup> / <sub>2</sub> "

DOUBLE TOWEL BAR



MODEL	HEIGHT	WIDTH	DEPTH
<i>Brass Rail</i>			
5-370-18CLD	5 <sup>3</sup> / <sub>8</sub> "	18"	5 <sup>15</sup> / <sub>16</sub> "
5-370-23CLD	5 <sup>3</sup> / <sub>8</sub> "	23"	5 <sup>15</sup> / <sub>16</sub> "
4-370-29CLD	5 <sup>3</sup> / <sub>8</sub> "	29"	5 <sup>15</sup> / <sub>16</sub> "
<i>Glass Rail</i>			
5-375-18CLD	5 <sup>3</sup> / <sub>8</sub> "	18"	5 <sup>15</sup> / <sub>16</sub> "
5-375-23CLD	5 <sup>3</sup> / <sub>8</sub> "	23"	5 <sup>15</sup> / <sub>16</sub> "
5-375-29CLD	5 <sup>3</sup> / <sub>8</sub> "	29"	5 <sup>15</sup> / <sub>16</sub> "

TOWEL HOOK



MODEL	HEIGHT	WIDTH	DEPTH
4-340CLD	3 <sup>1</sup> / <sub>16</sub> "	1 <sup>5</sup> / <sub>8</sub> "	2 <sup>1</sup> / <sub>2</sub> "

DOUBLE COAT HOOK



MODEL	HEIGHT	WIDTH	DEPTH
4-345CLD	4 <sup>9</sup> / <sub>16</sub> "	1 <sup>5</sup> / <sub>8</sub> "	3 <sup>3</sup> / <sub>4</sub> "

DOUBLE ROBE HOOK



MODEL	HEIGHT	WIDTH	DEPTH
4-330CLD	1 <sup>5</sup> / <sub>8</sub> "	2 <sup>9</sup> / <sub>16</sub> "	3 <sup>1</sup> / <sub>4</sub> "





SHOWER RISER RAIL



MODEL	HEIGHT	WIDTH	DEPTH
4-380CLD	29 <sup>3</sup> / <sub>4</sub> "	6 <sup>5</sup> / <sub>16</sub> "	3 <sup>3</sup> / <sub>8</sub> "

SHOWER RISER RAIL  
WITH BASKET



MODEL	HEIGHT	WIDTH	DEPTH
4-390CLD	29 <sup>3</sup> / <sub>4</sub> "	6 <sup>5</sup> / <sub>16</sub> "	7 <sup>7</sup> / <sub>8</sub> "

*Rail accepts 22mm shower heads*

THE STERLINGHAM

OVAL SHOWER  
CURTAIN RAIL



MODEL	HEIGHT	WIDTH	DEPTH
4-410CLD	13 <sup>3</sup> / <sub>4</sub> "	59 <sup>1</sup> / <sub>16</sub> "	29 <sup>1</sup> / <sub>2</sub> "



RECTANGLE SHOWER  
CURTAIN RAIL

MODEL	HEIGHT	WIDTH	DEPTH
4-450CLD	13 <sup>3</sup> / <sub>4</sub> "	59 <sup>1</sup> / <sub>16</sub> "	29 <sup>1</sup> / <sub>2</sub> "



for more information | [sterlingham.com](http://sterlingham.com) | +1 631-727-2818

*finish options...*  
UB | CP | PN | BN | LB | LAB | MB  
MAB | DB | DAB | GP | AG | SP

CORNER SHOWER CURTAIN  
RAIL WITH CEILING STAY



MODEL	HEIGHT	WIDTH	DEPTH
4-440CLD	13 <sup>3</sup> / <sub>4</sub> "	37 <sup>3</sup> / <sub>8</sub> "	25 <sup>9</sup> / <sub>16</sub> "

*made* TO MEASURE

Tailor made to your requirements you are not limited to the standard models and sizes within this brochure. Our design team can produce a 3D drawing based on your bespoke requirements prior to your order.



THE STERLINGHAM

CORNER SHOWER  
CURTAIN RAIL



MODEL	HEIGHT	WIDTH	DEPTH
4-460CLD	3 <sup>1</sup> / <sub>4</sub> "	37 <sup>3</sup> / <sub>8</sub> "	25 <sup>9</sup> / <sub>16</sub> "

STRAIGHT SHOWER  
CURTAIN RAIL



MODEL	HEIGHT	WIDTH	DEPTH
4-400CLD	3 <sup>1</sup> / <sub>4</sub> "	70 <sup>7</sup> / <sub>8</sub> "	3 <sup>1</sup> / <sub>4</sub> "

for more information | [sterlingham.com](http://sterlingham.com) | +1 631-727-2818

*finish options...*  
UB | CP | PN | BN | LB | LAB | MB  
MAB | DB | DAB | GP | AG | SP





FIXED MIRROR

MODEL	HEIGHT	WIDTH	DEPTH
2-400CLD	23 <sup>5</sup> / <sub>8</sub> "	15 <sup>3</sup> / <sub>4</sub> "	1 <sup>3</sup> / <sub>6</sub> "
2-600CLD	31 <sup>1</sup> / <sub>2</sub> "	23 <sup>5</sup> / <sub>8</sub> "	1 <sup>3</sup> / <sub>6</sub> "
2-750CLD	35 <sup>7</sup> / <sub>16</sub> "	29 <sup>1</sup> / <sub>2</sub> "	1 <sup>3</sup> / <sub>6</sub> "

Can Be Mounted Horizontally Or Vertically

SQUARE  
TILT MIRROR



MODEL	HEIGHT	WIDTH	DEPTH
2-110CLD	20"	24 <sup>3</sup> / <sub>4</sub> "	3"

RECTANGULAR  
TILT MIRROR

MODEL	HEIGHT	WIDTH	DEPTH
2-112CLD	29 <sup>3</sup> / <sub>4</sub> "	28 <sup>3</sup> / <sub>8</sub> "	3"

All of our square and rectangular mirrors are available in bespoke sizes.



ROUND  
TILT MIRROR



MODEL	HEIGHT	WIDTH	DEPTH
2-111CLD	20 <sup>1</sup> / <sub>2</sub> "	24 <sup>7</sup> / <sub>16</sub> "	2 <sup>15</sup> / <sub>16</sub> "

All of our wall mounted mirrors are available with demisting pads.

OVAL  
TILT MIRROR

MODEL	HEIGHT	WIDTH	DEPTH
2-116CLD	29 <sup>1</sup> / <sub>2</sub> "	28 <sup>1</sup> / <sub>4</sub> "	3"



EXTENDING  
SHAVING MIRROR



MODEL	HEIGHT	WIDTH	DEPTH
2-130CLD	18-18"	7 <sup>7</sup> / <sub>8</sub> "	7-17"

PIVOTING  
SHAVING MIRROR



MODEL	HEIGHT	WIDTH	DEPTH
2-155CLD	7 <sup>1</sup> / <sub>16</sub> "	7 <sup>7</sup> / <sub>8</sub> "	9 <sup>5</sup> / <sub>8</sub> "

TALL FREESTANDING  
TABLE MIRROR



MODEL	HEIGHT	WIDTH	DEPTH
2-140CLD	16-18"	8 <sup>9</sup> / <sub>16</sub> "	8 <sup>9</sup> / <sub>16</sub> "

FREESTANDING  
TABLE MIRROR



MODEL	HEIGHT	WIDTH	DEPTH
2-145CLD	10 <sup>11</sup> / <sub>16</sub> "	8 <sup>9</sup> / <sub>16</sub> "	8 <sup>9</sup> / <sub>16</sub> "

*All shaving and table mirrors feature standard magnification to one side and 3 x magnification to the other.*

THE STERLINGHAM

for more information | [sterlingham.com](http://sterlingham.com) | +1 631-727-2818

*finish options...*  
UB | CP | PN | BN | LB | LAB | MB  
MAB | DB | DAB | GP | AG | SP





CRAFTMASTER  
ACCESSORIES

### PAPER HOLDER



MODEL	HEIGHT	WIDTH	DEPTH
6-100-RD	2 <sup>5</sup> / <sub>16</sub> "	8"	4"



### SOAP DISH & HOLDER

MODEL	HEIGHT	WIDTH	DEPTH
6-101-RD	2 <sup>5</sup> / <sub>16</sub> "	6 <sup>1</sup> / <sub>4</sub> "	7 <sup>15</sup> / <sub>16</sub> "

### TUMBLER & HOLDER



MODEL	HEIGHT	WIDTH	DEPTH
6-102-RD	3 <sup>7</sup> / <sub>8</sub> "	3"	5 <sup>15</sup> / <sub>16</sub> "

for more information | [sterlingham.com](http://sterlingham.com) | +1 631-727-2818

*finish options...*  
UB | CP | PN | BN | LB | LAB | MB  
MAB | DB | DAB | GP | AG | SP

ROUND  
TILT MIRROR



MODEL	HEIGHT	WIDTH	DEPTH
6-110-RD	20 <sup>13</sup> / <sub>16</sub> "	24 <sup>15</sup> / <sub>16</sub> "	3 <sup>1</sup> / <sub>16</sub> "

SHELF &  
GUARD RAIL



MODEL	HEIGHT	WIDTH	DEPTH
6-024-RD	3"	29 <sup>9</sup> / <sub>16</sub> "	7 <sup>3</sup> / <sub>16</sub> "

SINGLE TOWEL BAR



MODEL	HEIGHT	WIDTH	DEPTH
6-350-RD	2 <sup>5</sup> / <sub>16</sub> "	20 <sup>1</sup> / <sub>2</sub> "	3 <sup>13</sup> / <sub>16</sub> "

ROBE HOOK



MODEL	HEIGHT	WIDTH	DEPTH
6-330-RD	2 <sup>5</sup> / <sub>16</sub> "	3 <sup>3</sup> / <sub>8</sub> "	3 <sup>7</sup> / <sub>8</sub> "

TOWEL RING



MODEL	HEIGHT	WIDTH	DEPTH
6-310-RD	7 <sup>1</sup> / <sub>16</sub> "	6 <sup>1</sup> / <sub>16</sub> "	3 <sup>13</sup> / <sub>16</sub> "

THE STERLINGHAM

for more information | [sterlingham.com](http://sterlingham.com) | +1 631-727-2818

*finish options...*  
UB | CP | PN | BN | LB | LAB | MB  
MAB | DB | DAB | GP | AG | SP





*washstands*



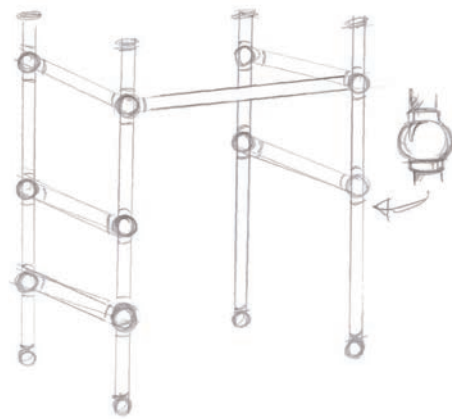
*bespoke washstands*

...AVAILABLE TO YOUR CUSTOM REQUIREMENTS

*from your sketches we will create a technical drawing for you to approve, then we will produce in your choice of finish.*



2, 3, 4, 5, 6 LEG | SHELF | HEATED  
JOINT OPTIONS | FOOT OPTIONS  
CURVED FRONT



## ordering bespoke...

1. SEND US A SKETCH OR DESIGN
2. WE WILL SEND YOU OUR TECHNICAL DRAWING
3. CONFIRM OR AMEND DETAILS
4. CONFIRM PRICE AND PLACE ORDER
5. RECEIVE PRODUCT

send your enquiries to:  
[technical@sterlingham.co.uk](mailto:technical@sterlingham.co.uk)  
[sales@sterlingham.co.uk](mailto:sales@sterlingham.co.uk)

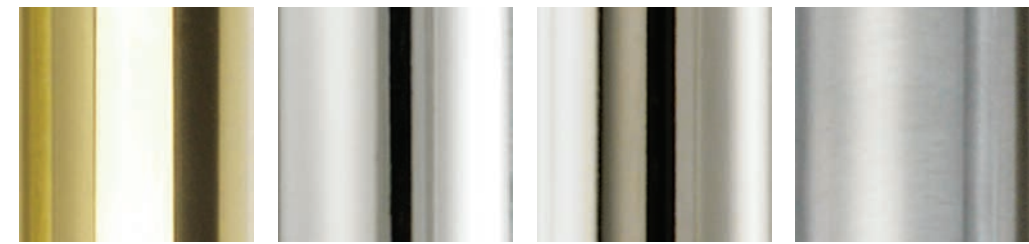


Our Electrical Heated Washstand (CSA/UL Certified) won the Accessory Of The Year award for its innovative collaboration of design and functionality at their annual conference in 2016"





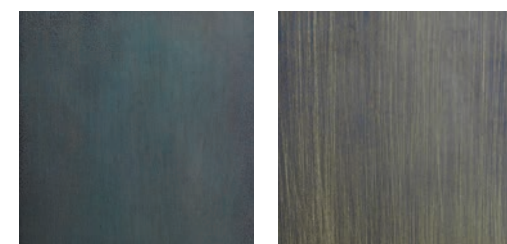
# FINISH *options*



**UB** UNLAQUERED BRASS    **CP** CHROME PLATED    **PN** POLISHED NICKEL    **BN** BRUSHED NICKEL



**LB** LIGHT BRONZE    **LAB** LIGHT ANTIQUE BRONZE    **MB** MEDIUM BRONZE    **MAB** MEDIUM ANTIQUE BRONZE



**DB** DARK BRONZE    **DAB** DARK ANTIQUE BRONZE



**GP** GOLD PLATED    **AG** ANTIQUE GOLD



FOR SPECIAL FINISHES WE REQUIRE A SAMPLE TO MATCH TO

## SPECIAL FINISHES

Our standard finishes are shown here but if you require another finish, please let us know so that we can produce a sample for you to view and sign off.



# THE STERLINGHAM *promise...*

Your order will be attended to promptly, we will request any missing information and we will acknowledge your order within 24 working hours of having all the information whereupon we will commence work on your order. We will provide a drawing where required, supplied under the terms of the General Information section. We will endeavour to keep you informed of order progress, its readiness and availability for shipment or collection. We will apply ourselves diligently to making your requirements to the highest quality in terms of size, design and finish and within the target timeframe. We will attend promptly to any queries or complaint. We ask you to check your order acknowledgement carefully and also to let us know within five working days of arrival of the goods any damage or shortage (after which time we cannot entertain claims) and we will attend promptly to any errors.

## GENERAL INFORMATION

### 1. General

- i. All measurements are nominal with a finished products tolerance of  $\pm 1/8''$ .
- ii. Heights and widths shown in this brochure or price list are overall sizes including mounting flanges.
- iii. Technical drawings are available on request for all of our standard products.
- iv. For bespoke requests please allow 7 days for drawings. All drawings are the intellectual property of The Sterlingham Co Ltd and may not be used to solicit quotations from elsewhere.
- v. For general care and cleaning guidelines please contact us. Sterlingham Towel Warmers must be installed by a qualified electrician/plumber as appropriate. Damage to the product caused by the installer is not covered by our guarantee.
- vi. The finishes shown in this brochure are as accurate as reprographic limitations will allow. If you would like to receive a sample of a finish prior to ordering please contact us.
- vii. We reserve the right to make a charge where orders for bespoke towel warmers are cancelled or altered after work on them has commenced and to charge for the preparation of drawings for such cancelled orders.

### 2. Electric Only Towel Warmers

- i. Electric Cable Element is rated IP67 – for detailed information on this please review IEC 529:1989, BSEN 65029:1992, or speak to your installer for more details.
- ii. Our towel warmers are available as 230v, 110v, 12v & 24v. Please contact us if you have an alternative requirement.
- iii. The supply cable for our electric only towel warmers comes from the rear centre of a wall or floor fixing flange. Which flange and the length of cable is specified by you. In the absence of your instructions otherwise, the default is top left and 1 metre of cable.
- iv. Our Low-energy heating elements are double insulated to satisfy Class II requirements. Class I requirements are met with the addition of a primary and secondary earth.
- v. Numerous tests are conducted so that no Low-energy towel warmer leaves our workshop in less than perfect condition. The heating elements are tested underwater to ensure waterproofing. Not that they are ever likely to come into contact with water being housed in the dry environment of the towel warmer. This means that they can be installed close to sources of water jets or sprays.

### 3. Hydronic & Dual Fuel Towel Warmers

- i. All dual fuel and hydronic models are pressure tested before polishing, after polishing and after plating to 145 p.s.i (10 bar) to ensure there are no leaks.
- ii. Dual fuel and hydronic towel warmers require additional items to be purchased. We recommend high quality valves such as those from Barber Wilsons & Co.Ltd . These can be sourced direct or through an alternative supplier or we can order them for you.
- iii. In the case of dual fuel models the electric probe element is also a chargeable extra.
- iv. As we do not manufacture the dual fuel electrical elements nor the valves required for water/dual fuel warmers we cannot offer quality guarantees on those items other than as stated within the warranty section.
- v. Checks should be made with your local water authority to ensure that the water quality will not cause dezincification of the brass material.
- vi. Such towel warmers should not be fitted to a system which uses a water softener. The installer must ensure that the product selected is suitable for the conditions and the water quality.
- vii. A manual bleed air vent is fitted to all hydronic and dual fuel models.

# THE STERLINGHAM *warranty*



**Low-energy Towel Warmers** are covered by the following 10 year guarantee: Given satisfactory evidence of the date of purchase, we will, during the first ten years, replace or rectify any mechanical fault to the product as a whole without charge. After this time any fault developing in the electric towel warmers heating element will be rectified by replacing it at our works at the nominal cost to the customer of labour and materials. In this instance no attempt must have been made to dismantle the product because of the potential damage to the element rendering it un-testable. In both instances it is the responsibility of the customer to arrange and cover the costs of safe packaging and transportation to and from our workshop.



**Hydronic and Dual Fuel Towel Warmers** Are guaranteed for five years from the date of supply. As we do not ourselves make the electric heaters for Dual Fuel models, in line with the element manufacturer's warranty we will provide a replacement cartridge heater free of charge if the heater fails within one year of the date of supply.



**Bath Fittings (including washstands):** Our workmanship and quality inspection enables us to offer a lifetime guarantee in the hands of the purchaser.

**All Products:** We will not entertain any liability claims for damages to surface finishes resulting from the use of proprietary cleaning materials, normal wear and tear, and any damage caused as a result of misuse, negligence or faulty installation or where a product has been used for purposes other than its intended and normal use.

## THE ENVIRONMENT OUR COMMITMENT

*“Buy well, buy once”.*

*We are confident that the products we manufacture will serve you for many years to come minimizing your outlay, and running costs too in the case of our Low-energy towel warmers. The power consumed is in the majority of instances less than 100 watts, the heating element being made bespoke for the particular towel warmer ensuring power is not wasted. We are always conscious of how our company and products might affect the environment and so we have invested in processes that reduce our own transport use and therefore carbon emissions, we re-use materials where possible, minimize waste and utilize recyclable packaging.*